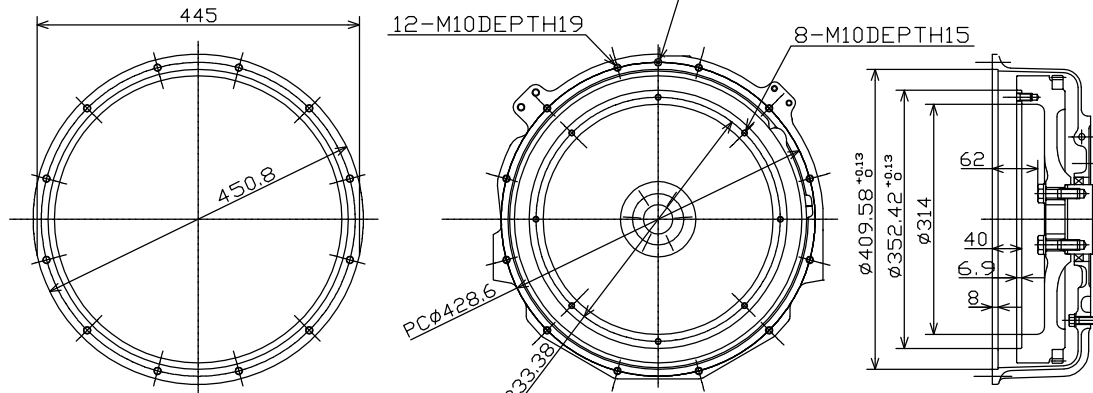
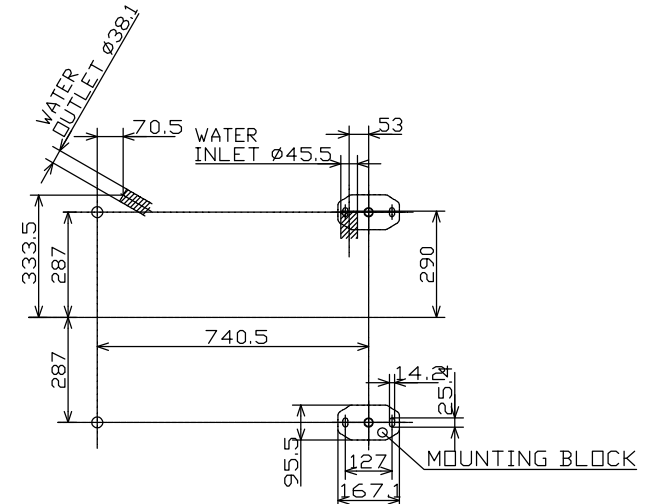


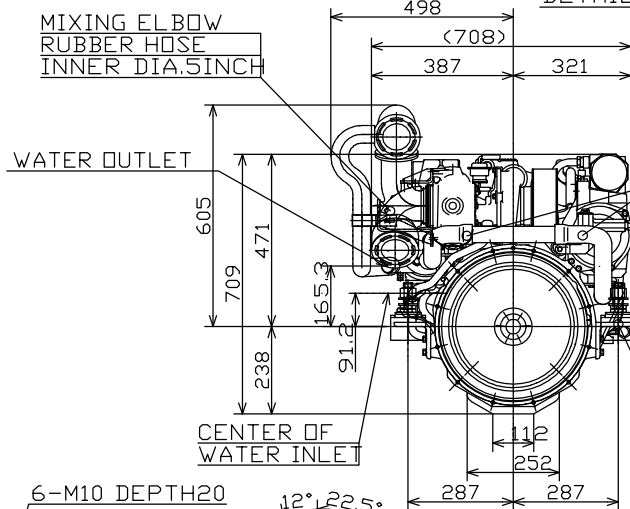
NOTICE
THE MOUNTING FLANGE WIDTH
OF TRANSMISSION SHOULD BE 445.



DETAIL OF FLYWHEEL OUTPUT SIDE(1/5)



MOUNTING BLOCK

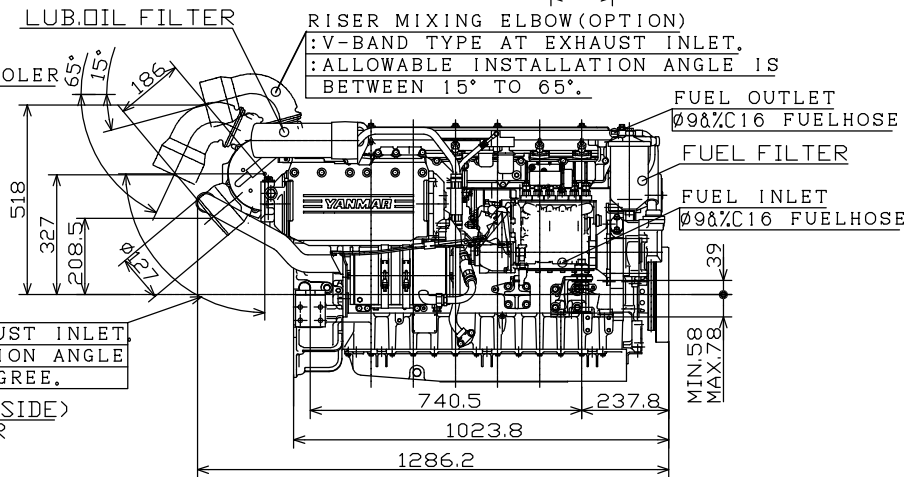


THESE RUBBER HOSES SHOULD
BE CONNECTED TO THE OILCOOLER
OF MARINE GEAR.
WATER PASSAGE AREA IS
OVER 12.5cm².

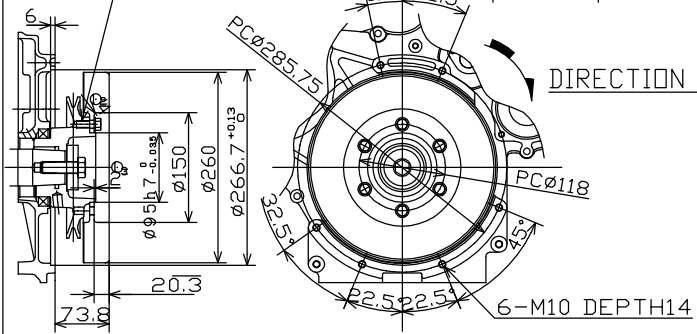
DIRECTION OF ROTATION

MIXING ELBOW
:V-BAND TYPE AT EXHAUST INLET
:ALLOWABLE INSTALLATION ANGLE
BETWEEN 0° TO 90° DEGREE.

MOUNTING BRACKETS(REAR SIDE)
SHOULD BE USED ONLY FOR
TRANSPORTATION.



BARRY CONTROL MOUNT



DETAIL OF FRONT COUPLING(1/5)

NOTE
1. DWG. SHOWS MOUNTING BLOCKS
AT COMPRESSED HEIGHT.
(COMPRESSED BY APPROX 2mm)
2. MOUNTING BLOCK PARTS NUMBER
IS 119773-08300
3. ALL DIMENSIONS ARE IN MILLIMETERS.

Scale 1/5 (1/3)	YANMAR MARINE INTERNATIONAL 24 April 2005	6LYA-STP WITHOUT MARINE GEAR
GROUP,USER= EM2,MT01		