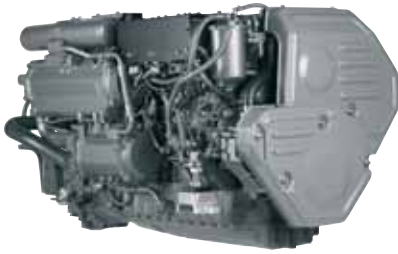


Yanmar type 6LY3-ETP

The Powerful Gem

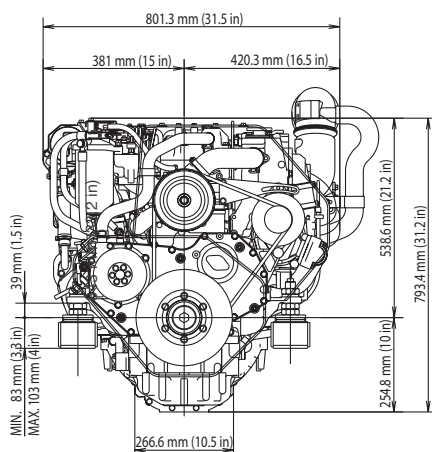


Configuration	24 valve, 4-stroke, vertical, water cooled diesel engine
Maximum output at crankshaft	* 353 kW (480 mhp) / 3300 rpm
Continuous rating output at crankshaft	321 kW (436 mhp) / 3198 rpm
Displacement	5.813 L (354 cu in)
Bore x stroke	106 mm x 110 mm (4.17 in x 4.33 in)
Cylinders	6 in line
Combustion system	Direct injection
Aspiration	Turbocharged with seawater cooled intercooler
Starting system	Electrical starting 12V - 3kW
Alternator	12V - 80A
Cooling system	Fresh water cooling by centrifugal fresh water pump and rubber impeller seawater pump
Lubrication system	Enclosed, forced lubricating system
Direction of rotation (crankshaft)	Counter clockwise viewed from stern
Dry weight without gear	640 kg (1411 lbs)
Environmental	Meets the comprehensive emissions regulations introduced in EU and US (Tier II) in 2006
Engine mounting	Rubber type flexible mounts

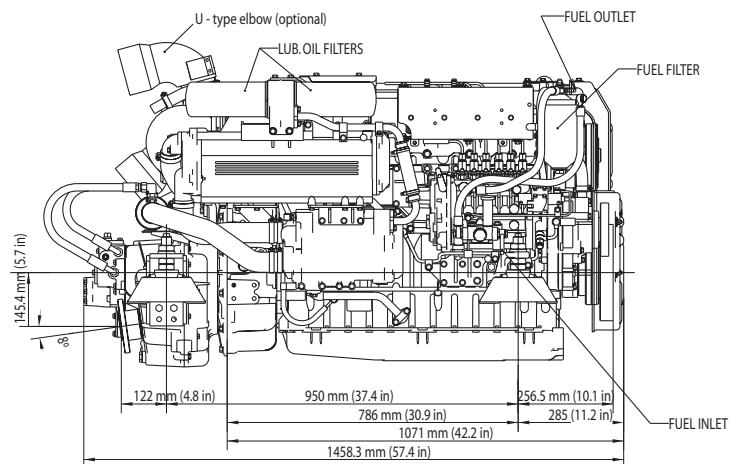
NOTE: Fuel condition: Density at 15°C = 0.86 g/cm³; 1kW = 1.3596 mhp = 1.3410 HP
 * Fuel temperature 40°C at the inlet of the fuel injection pump (ISO 8665)
 Technical data is according to ISO 8665 / 3046

Dimensions (For detailed line-drawings, please refer to our web-site: www.yanmarmarine.com or contact your supplier)

Front view

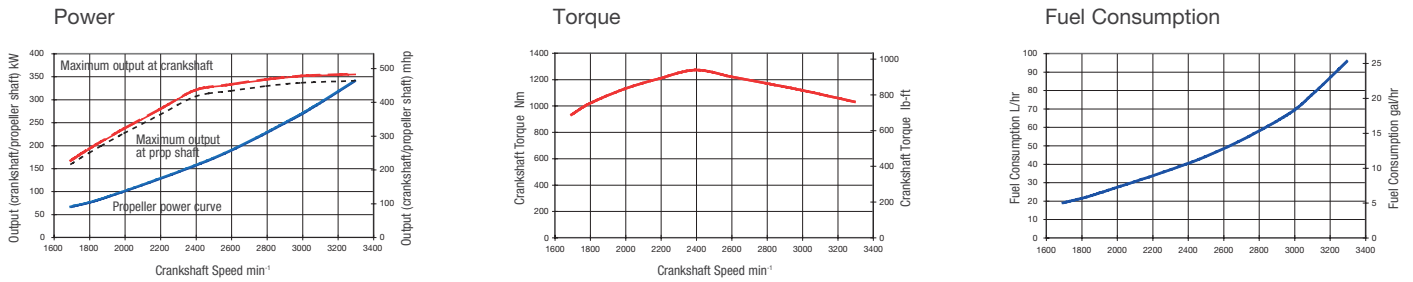


Right side view



6LY3-ETP w/ Yanmar KMH61A marine gear

Performance Curves (Output is according ISO 8665)



Marine gear (example) **

Model	MG5061A: 7° Angle			KMH61A			ZF85A		
Type	Wet and multi-disc			Hydraulically actuated multi-disc clutch			Hydraulically actuated multi-disc clutch		
Dry weight	100 kg (220 lbs)			78 kg (172 lbs)			90 kg (198 lbs)		
Reduction ratio (fwd/asn)	1.13/1.13	1.54/1.54	1.75/1.75	1.55/1.55	2.04/2.04	2.43/2.43	1.57/1.57	1.96/1.96	2.50/2.50
Propeller speed (fwd/asn)	2920/2920	2143/2143	1886/1886	2129/2129	1618/1618	1358/1358	2102/2102	1684/1684	1320/1320
Direction of rotation (propeller shaft - fwd)	Clockwise & counter clockwise viewed from stern			Clockwise & counter clockwise viewed from stern			Clockwise & counter clockwise viewed from stern		
Dry weight engine with gear	740 kg (1631 lbs)			718 kg (1583 lbs)			730 kg (1609 lbs)		
Length engine with gear	1389 mm (55 in)			1357 mm (53 in)			1373 mm (54 in)		

** Other marine gearboxes and configurations available upon request. Contact your local supplier for more information.

Instrument Panels

Various Control heads



Multi function LCD display



CAN Bus system

Multi function LCD display:

- engine information
- maintenance information
- diagnosis messages



Engine ECU Interface

Accessories

Standard Package

- CANBUS-NMEA 2000 electronic control system
- Ignition panel with rocker switches
- Multi-Function LCD display
- Alternator 12 V - 80 A
- Exhaust elbow (L-type)
- Air heater
- Electronic control head

Optional

- Fuel / water separator
- Exhaust elbow, U-type (high riser)
- Lub oil evacuation pump
- Extension wire harnesses
- Various control heads
- Trolling mode kit
- Remote oil filter opposite side
- Airvent for coolant tank
- Flexible mounts
- Second station kit for flybridge
- Ignition panel with keyswitch

Texts and illustrations are not binding. Yanmar Marine reserves the right to introduce adaptations without prior notification.

6LY3-ETP Version: 2006-03