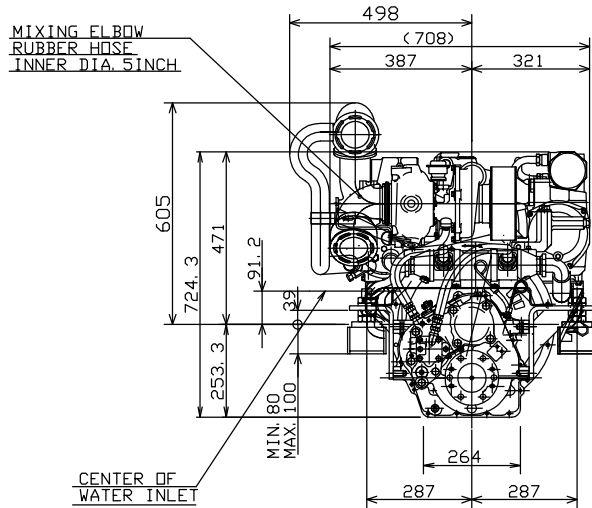
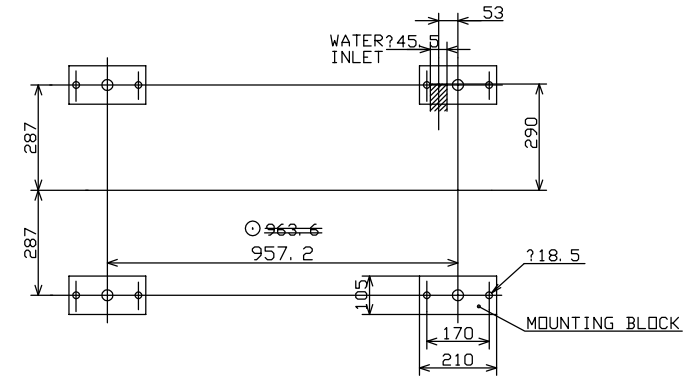
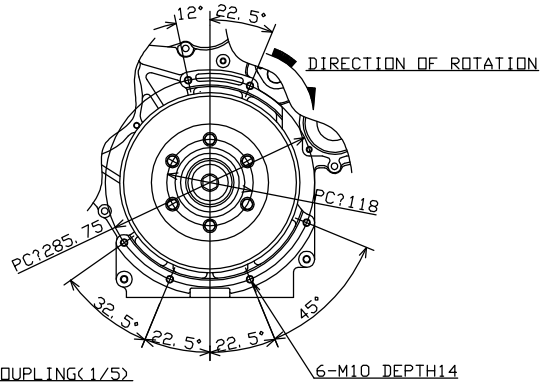


DETAIL OF FRONT COUPLING(1/5)

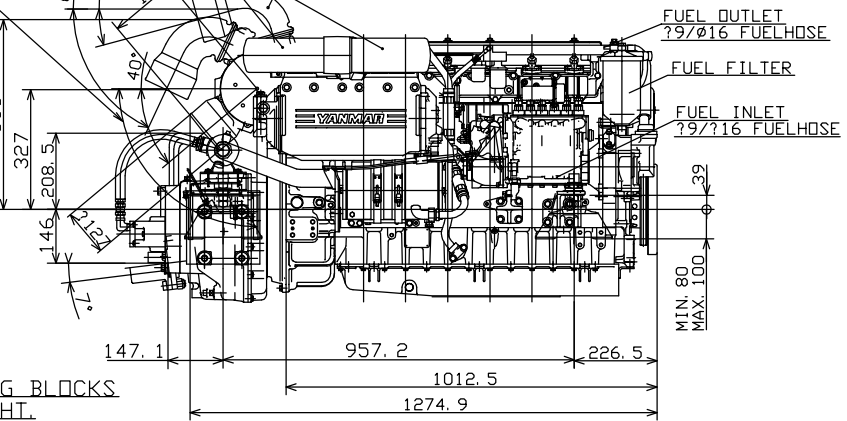


MIXING ELBOW
: V-BAND TYPE AT EXHAUST INLET.
: ALLOWABLE INSTALLATION ANGLE
BETWEEN 0° TO 90° DEGREE.

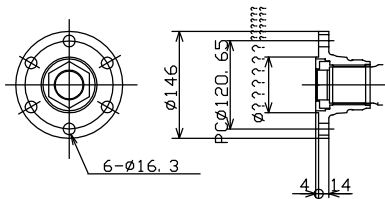
LUB. OIL FILTER

RISER MIXING ELBOW(OPTION)
: V-BAND TYPE AT EXHAUST INLET.
: ALLOWABLE INSTALLATION ANGLE IS
BETWEEN 15° TO 65°.

DIRECTION OF ROTATION



NOTE
DWG. SHOWS MOUNTING BLOCKS
AT COMPRESSED HEIGHT.
(COMPRESSED BY APPROX 3??)



DETAIL OF COUPLING(1/5)

NOTE
1. DWG. SHOWS MOUNTING BLOCKS AT ORIGINAL HEIGHT.
2. MOUNTING BLOCKS ARE EQUIPPED FOR STANDARD ACCESSARY.
4. ⊕ SHOWS CENTER OF GRAVITY
5. ALL DIMENSIONS ARE IN MILLIMETERS

Scale 1/10 (1/5)	YANMAR MARINE INTERNATIONAL 24 April 2005	6LY2-STP WITH MG5061A
GROUP, USER=EM2, MT01		