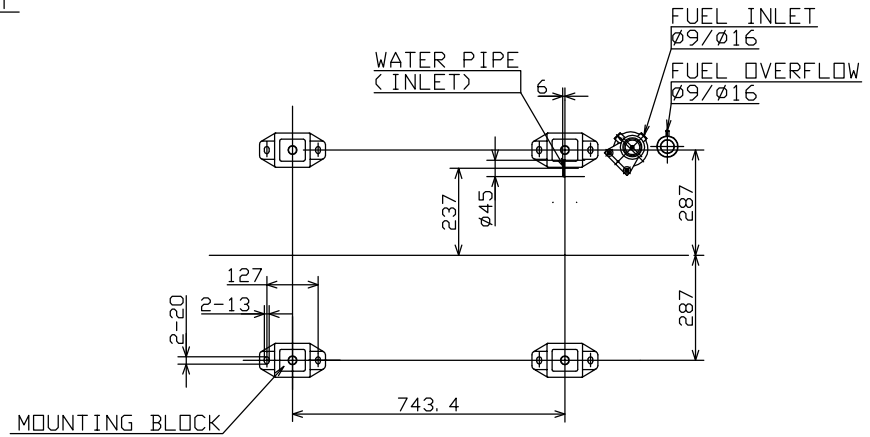
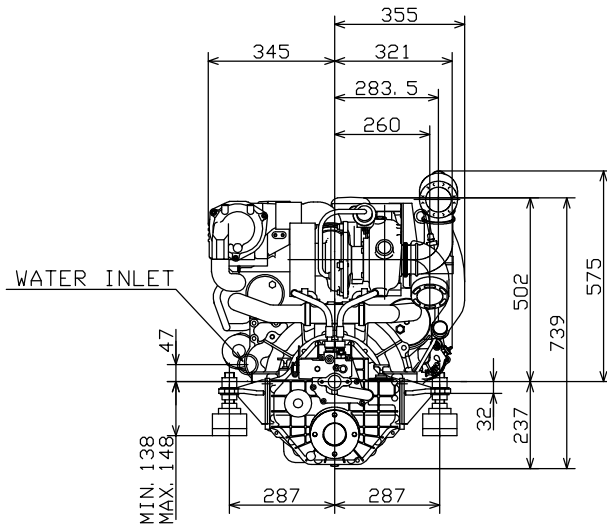


DETAIL OF PULLY (1/2.5)



MOUNTING BLOCK

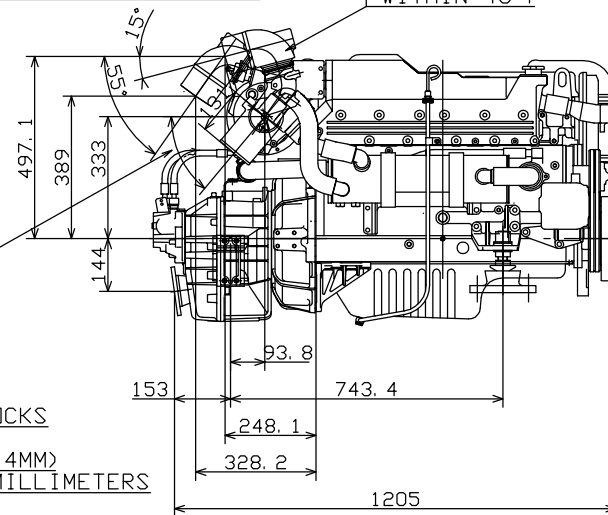


WATER INLET

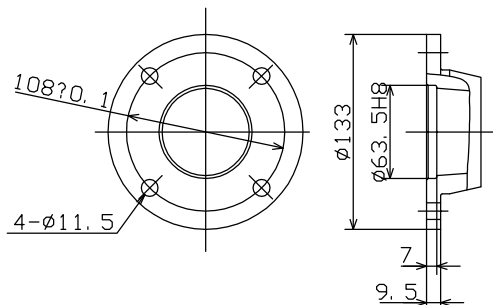
MIN. 138
MAX. 148

MIXING ELBOW $\phi 102$
V-BAND TYPE AT EXHAUST INLET.
ALLOWABLE INSTALLATION ANGLE
BETWEEN 25° TO 75° DEGREE.

RISER MIXING ELBOW(OPTION)
V-BAND TYPE AT EXHAUST INLET.
ALLOWABLE INSTALLATION ANGLE
WITHIN 40°.



NOTE
DWG. SHOWS MOUNTING BLOCKS
AT COMPRESSED HEIGHT.
(COMPRESSED BY APPROX. 4MM)
ALL DIMENSIONS ARE IN MILLIMETERS



DETAIL OF COUPLING (1/2.5)

Scale 1/10 (1/5)	YANMAR MARINE INTERNATIONAL 24 April 2005	6LPA-STP WITH ZF63A
GROUP, USER=EM2, MT01		