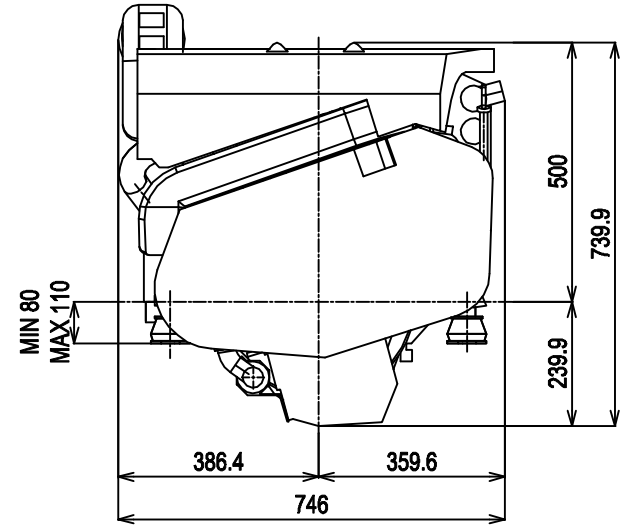
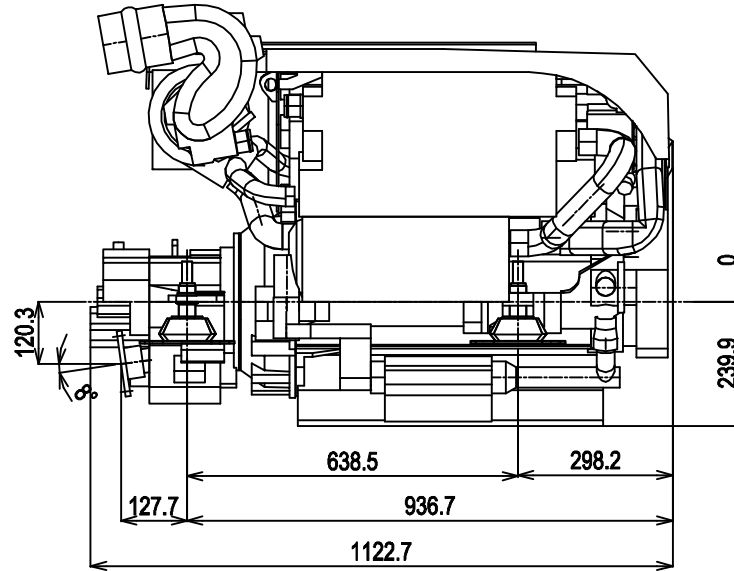
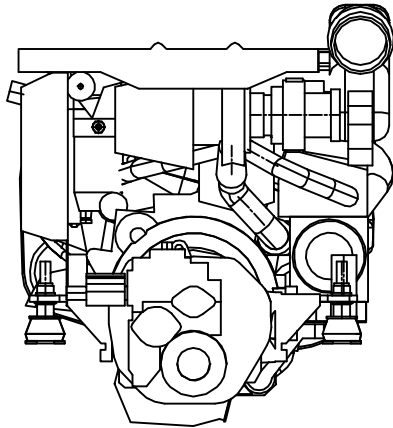
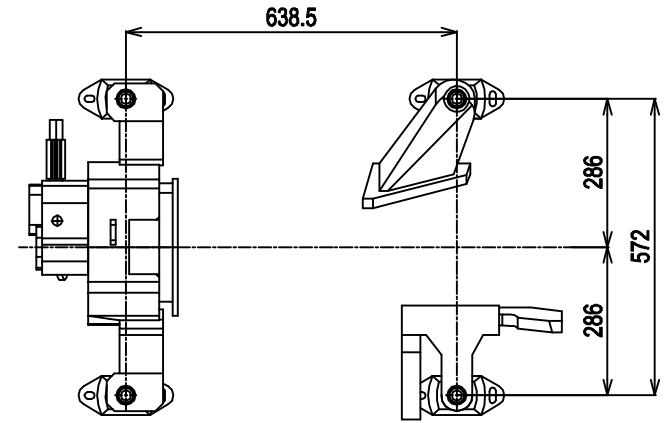
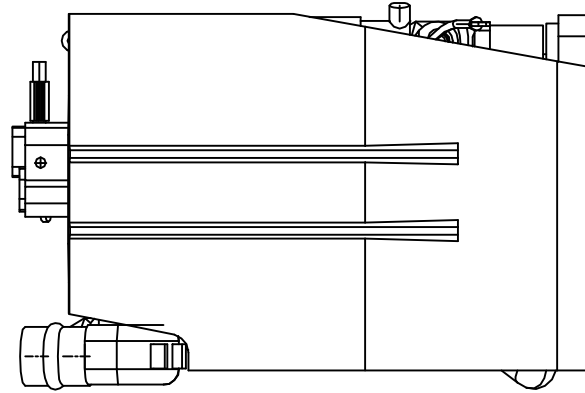
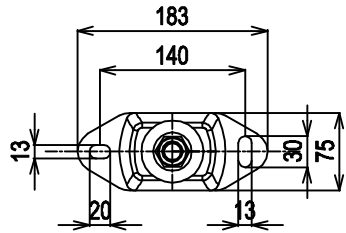
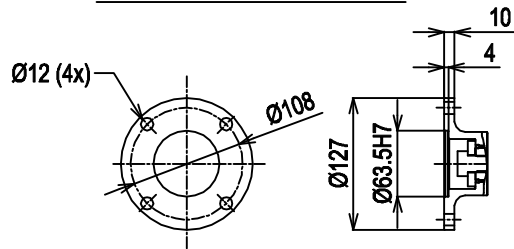


DETAIL OF MOUNTING BLOCK



DETAIL OF COUPLING



NOTE: ALL DIMENSIONS ARE IN MM

Scale
1/10

YANMAR MARINE INTERNATIONAL
November 2006

6BY220-260xKMH40A