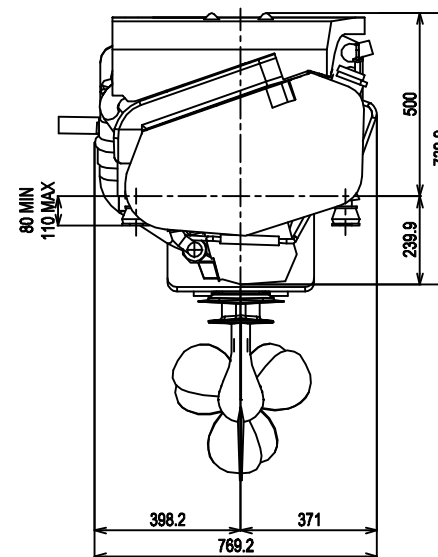
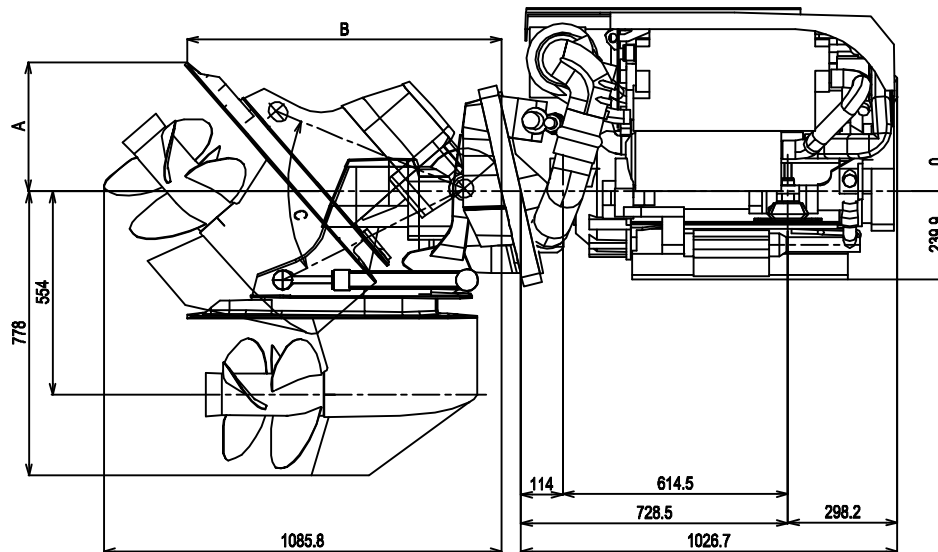
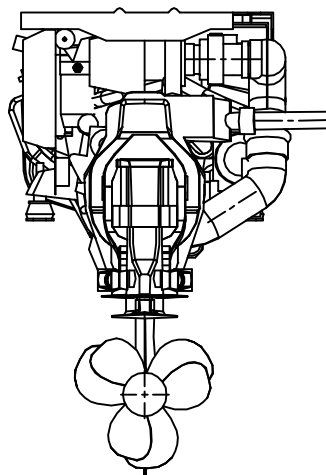
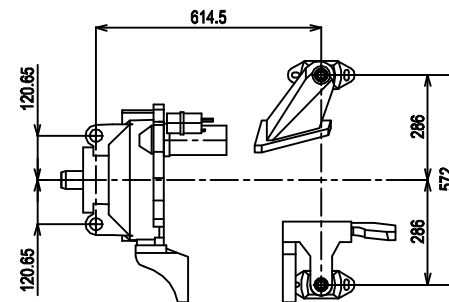
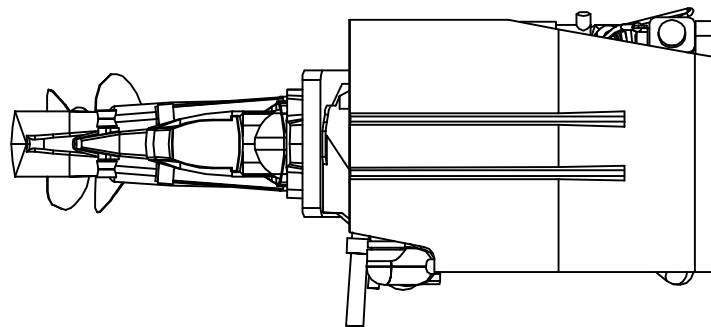
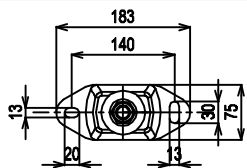


DETAIL OF MOUNTING BLOCK



| WITH TRIM-IN LIMIT INSERT IN REAR POSITION | .62" TILT-UP LIMIT SPACERS | | | A | B | C (MAX) |
|--|----------------------------|----------------|--------------|-------|---|---------|
| | 0 | 375 [14-3/4] | 851 [33-1/2] | 51° | | |
| | 1 | 309 [12-1/8] | 880 [34-5/8] | 46° | | |
| | 2 | 278 [10-15/16] | 260 [10-1/4] | 41.3° | | |

| WITH TRIM-IN LIMIT INSERT IN FORWARD POSITION | .62" TILT-UP LIMIT SPACERS | | | A | B | C (MAX) |
|---|----------------------------|----------------|----------------|-------|---|---------|
| | 0 | 308 [12-1/8] | 880 [34-11/16] | 46° | | |
| | 1 | 277 [10-15/16] | 260 [10-1/4] | 41.3° | | |
| | 2 | 263 [10-3/8] | 281 [11-1/16] | 36.8° | | |

NOTE: ALL DIMENSIONS ARE IN MM