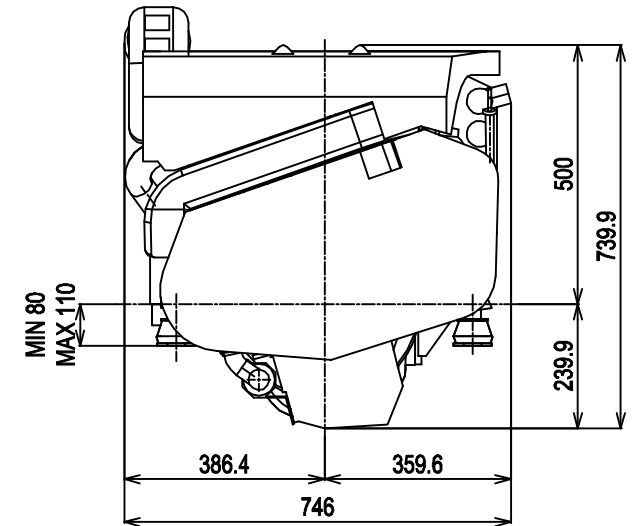
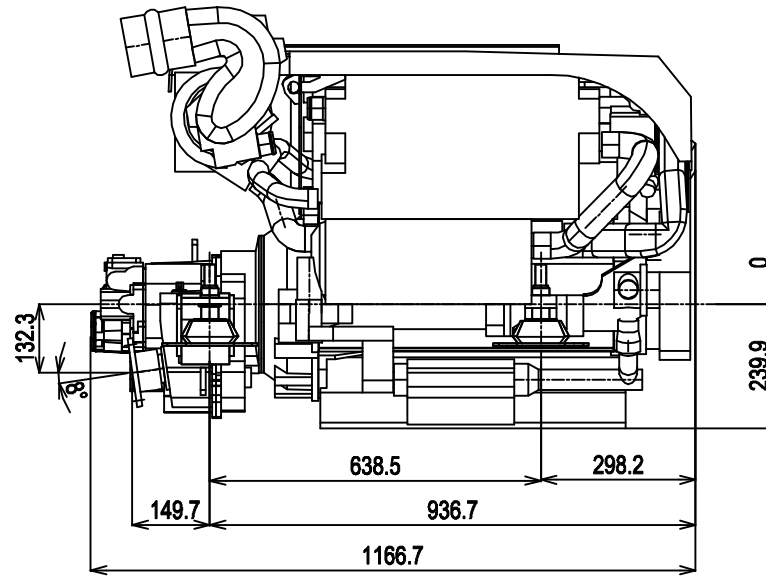
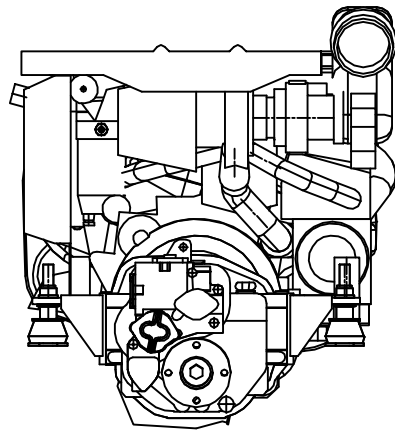
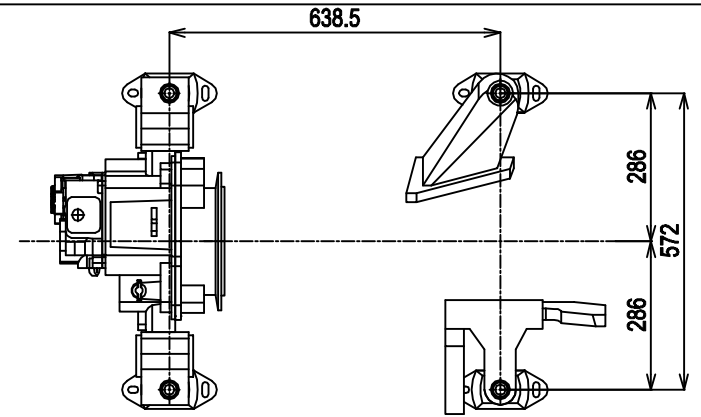
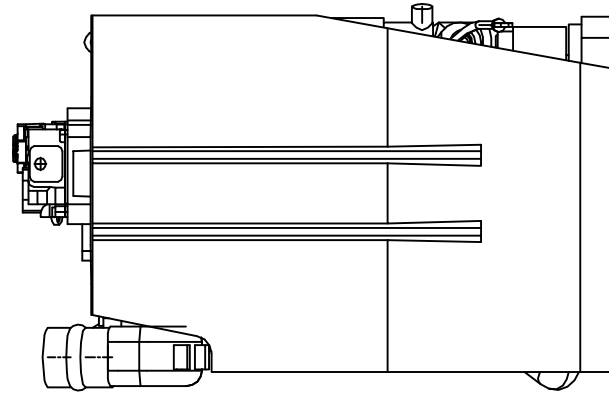
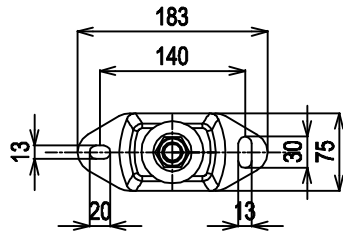
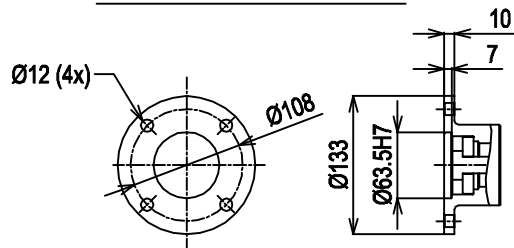


DETAIL OF MOUNTING BLOCK



DETAIL OF COUPLING



NOTE: ALL DIMENSIONS ARE IN MM

Scale 1/10	YANMAR MARINE INTERNATIONAL November 2006	6BY220-260xKMH50A
---------------	--	-------------------