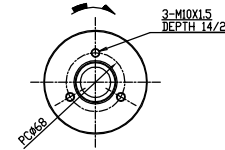
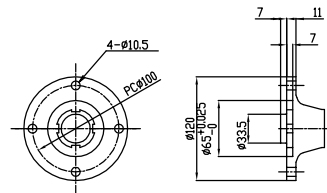
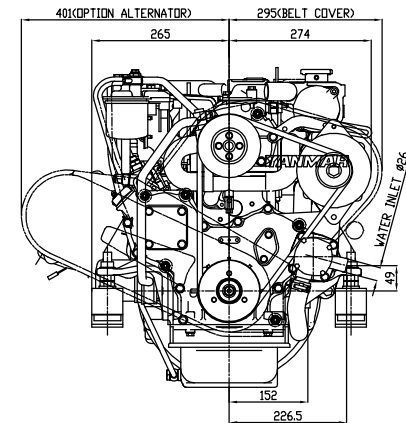
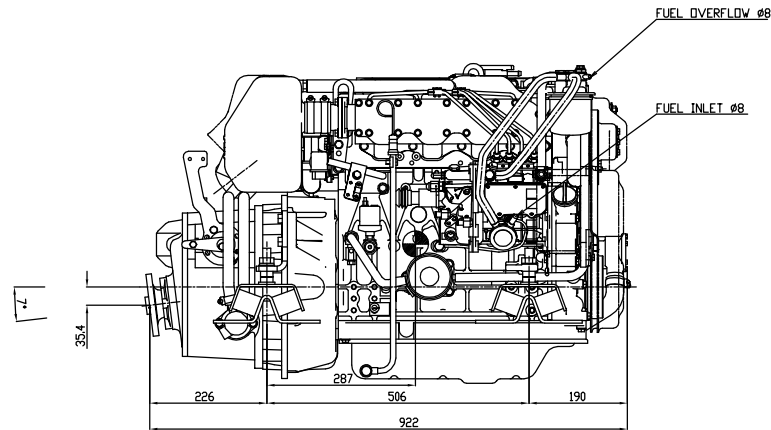
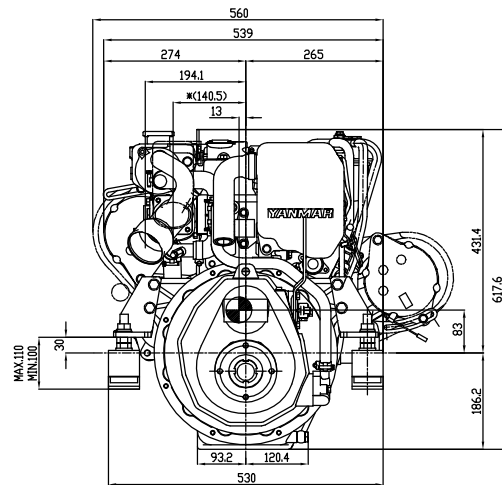


DIRECTION OF ROTATION



DETAIL OF PULLEY  
SCALE 1:3  
VIEWED FROM A



DETAIL OF COUPLING  
SCALE 1:3

NOTE  
1.DWG SHOWS MOUNTING BLOCKS AT ORIGINAL HEIGHT.  
ENGINE WEIGHT WILL COMPRESS BLOCKS BY 4MM (APPROX).  
2.MOUNTING BLOCKS ARE EQUIPPED FOR STANDARD ACCESSORY.  
3.THE FIGURES MARKED  $\times$  SHOW THE DIMENSIONS WITH  
U-MIXING ELBOW OR OPTIONAL COUPLING.  
4.ALL DIMENSIONS ARE IN MILLIMETERS.