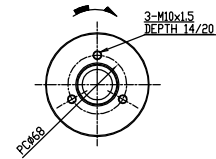
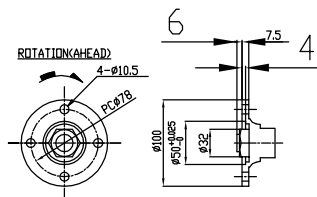
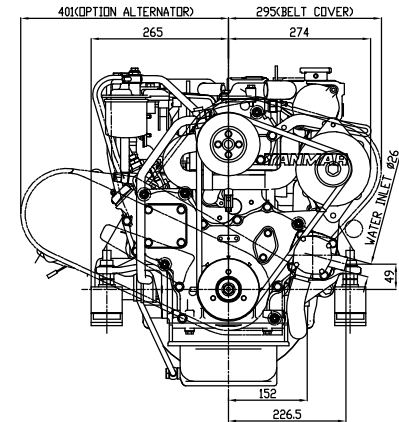
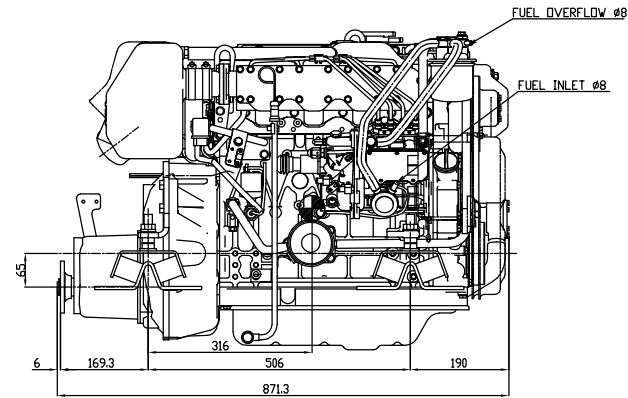
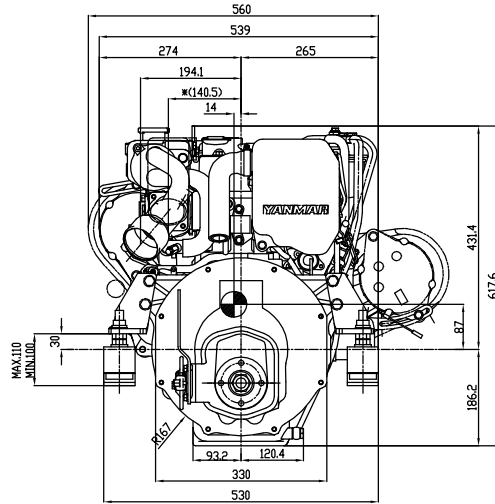


DIRECTION OF ROTATION



DETAIL OF PULLEY
SCALE 1:3
VIEWED FROM A



DETAIL OF COUPLING
SCALE 1:3

NOTE
1.DWG SHOWS MOUNTING BLOCKS AT ORIGINAL HEIGHT.
ENGINE WEIGHT WILL COMPRESS BLOCKS BY 4MM(APPROX).
2.MOUNTING BLOCKS ARE EQUIPPED FOR STANDARD ACCESSORY.
3.THE FIGURES MARKED * SHOW THE DIMENSIONS WITH
U-MIXING ELBOW OR OPTIONAL COUPLING.
4.ALL DIMENSIONS ARE IN MILLIMETERS.

| | | |
|-----------------------|-----------------------------|-----------------|
| Scale | YANMAR MARINE INTERNATIONAL | JH4-4 JH4E WITH |
| 1/5 | 24 April 2005 | KM35P |
| GROUP, USER=EM2, MT01 | | |