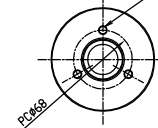
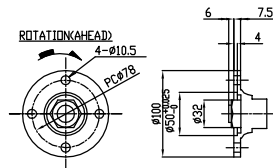
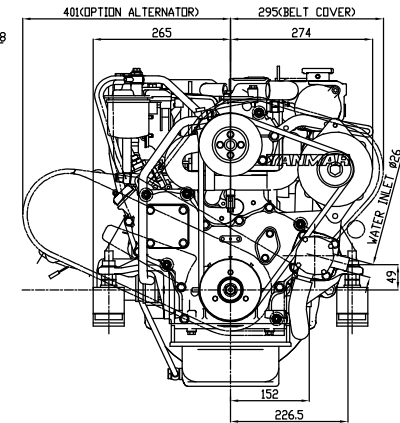
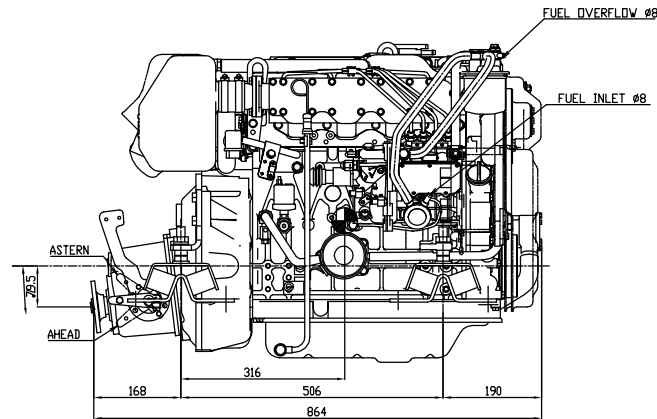
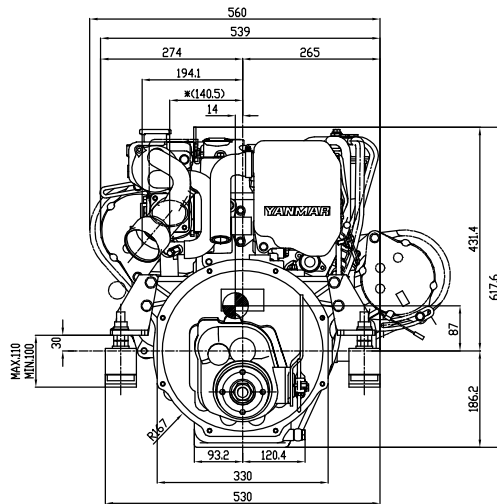


DIRECTION OF ROTATION
3-Ø10X1.5
DEPTH 13/20



DETAIL OF PULLEY
SCALE 1:3
VIEWED FROM A



DETAIL OF COUPLING
SCALE 1:3

NOTE
1.DWG SHOWS MOUNTING BLOCKS AT ORIGINAL HEIGHT.
ENGINE WEIGHT WILL COMPRESS BLOCKS BY 4MM (APPROX).
2.MOUNTING BLOCKS ARE EQUIPPED FOR STANDARD ACCESSORY.
3.THE FIGURES MARKED * SHOW THE DIMENSIONS WITH
U-MIXING ELBOW OR OPTIONAL COUPLING.
4.ALL DIMENSIONS ARE IN MILLIMETERS

Scale 1/5 (1/3)	YANMAR MARINE INTERNATIONAL 24 April 2005	JH4-4 JH4E WITH KM35A
-----------------------	--	--------------------------