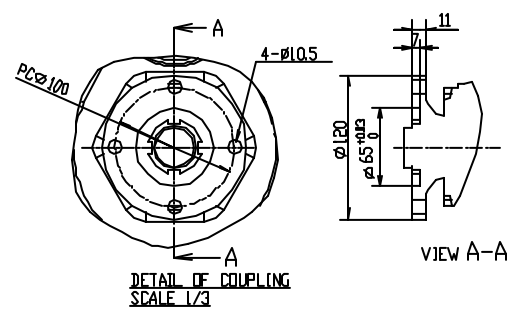
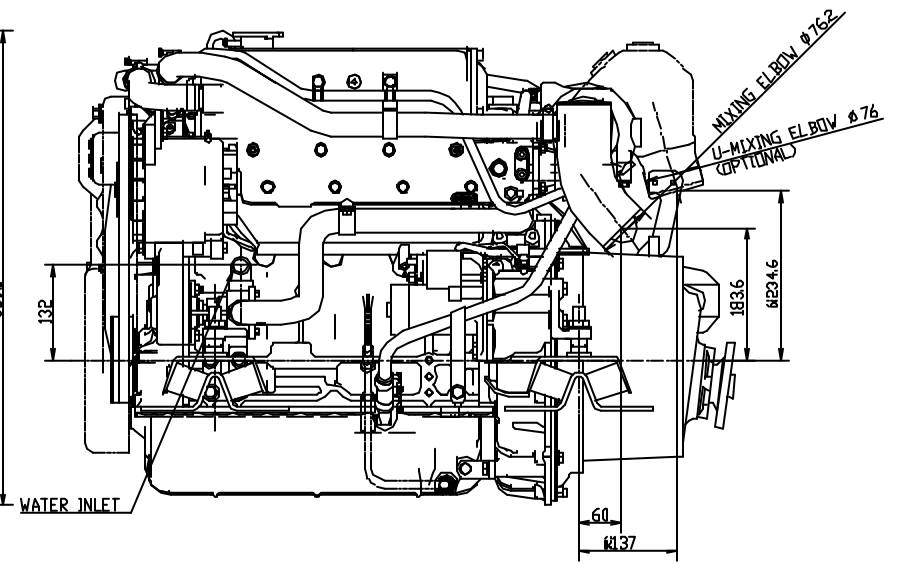
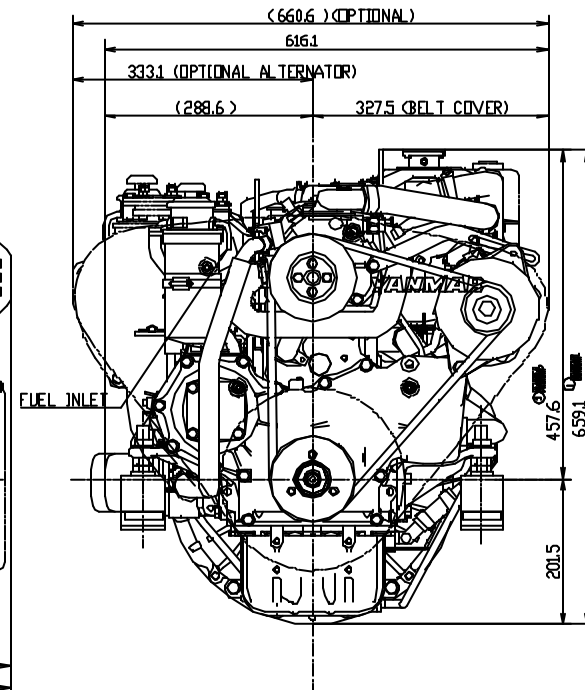
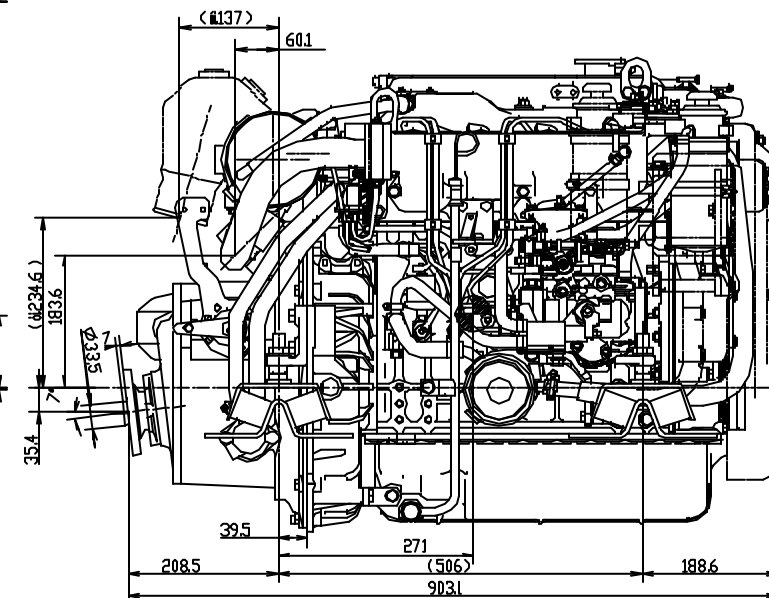
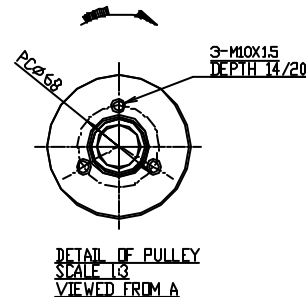


SPACE FOR REMOVAL OF OIL FILTER

BE CAREFUL SPACE BETWEEN ENGINE BED AND OIL FILTER.



DIRECTION OF ROTATION



NOTE  
 1. DWG SHOWS MOUNTING BLOCKS AT ORIGINAL HEIGHT.  
 ENGINE WEIGHT WILL COMPRESS BLOCKS BY 4MM (APPROX).  
 2. MOUNTING BLOCKS ARE EQUIPPED FOR STANDARD ACCESSORY.  
 3. THE FIGURES MARKED WITH Ø SHOW THE DIMENSIONS WITH U-MIXING ELBOW, OR OPTIONAL COUPLING.  
 4. Ⓞ SHOWS THE CENTER OF GRAVITY.  
 4. ALL DIMENSIONS ARE IN MILLIMETERS.