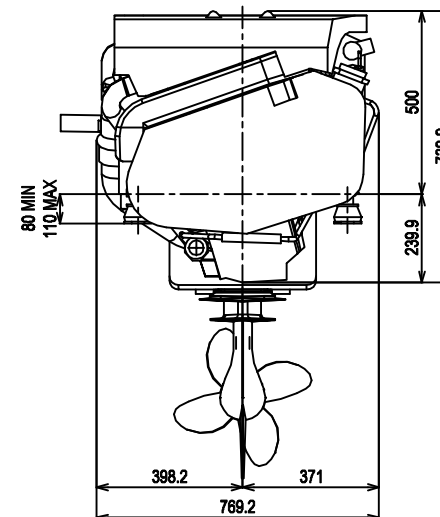
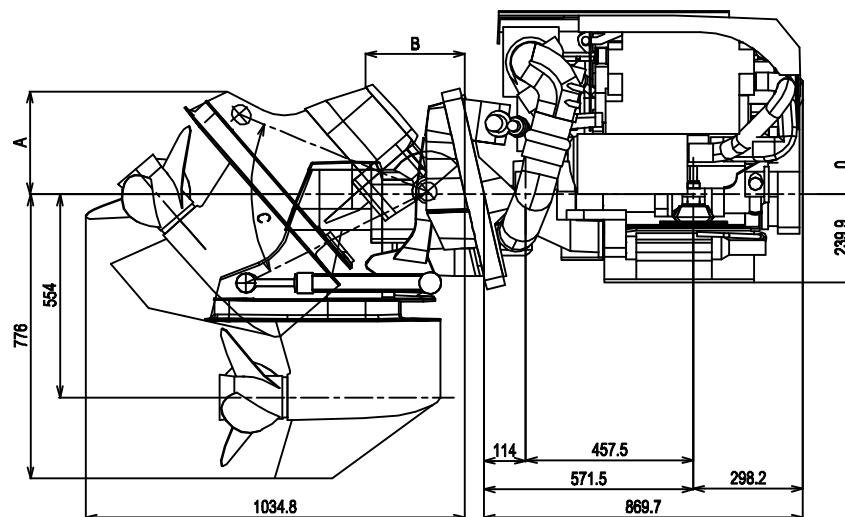
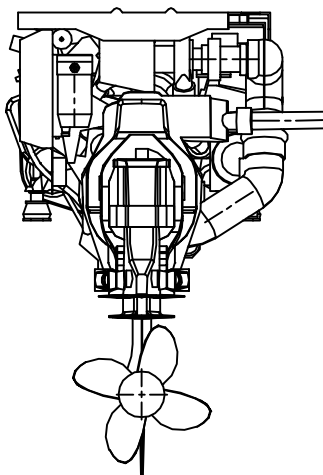
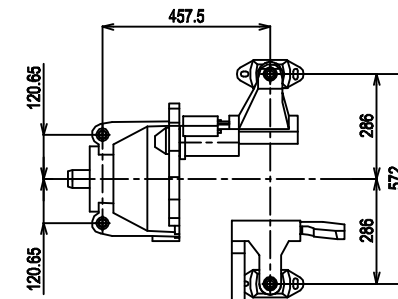
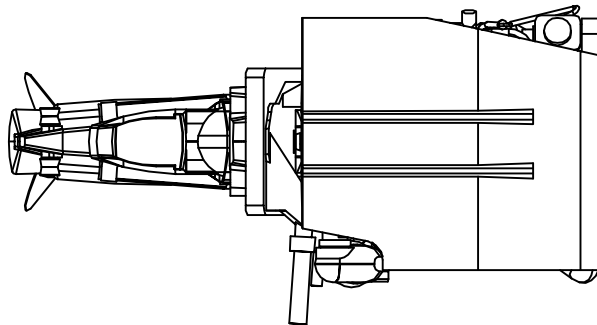
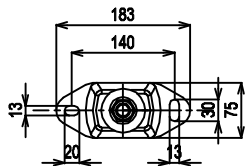


DETAIL OF MOUNTING BLOCK



WITH TRIM-IN LIMIT INSERT IN REAR POSITION	.62" TILT-UP LIMIT SPACERS	A	B	C (MAX)
	0	303 [11-15/16]	246 [9-11/16]	51°
	1	289 [11-3/8]	271 [11-11/16]	46°
	2	276 [10-7/8]	260 [10-1/4]	41.3°

WITH TRIM-IN LIMIT INSERT IN FORWARD POSITION	.62" TILT-UP LIMIT SPACERS	A	B	C (MAX)
	0	289 [11-3/8]	271 [10-11/16]	46°
	1	276 [10-7/8]	260 [10-1/4]	41.3°
	2	263 [10-3/8]	281 [11-1/16]	36.8°

NOTE: ALL DIMENSIONS ARE IN MM