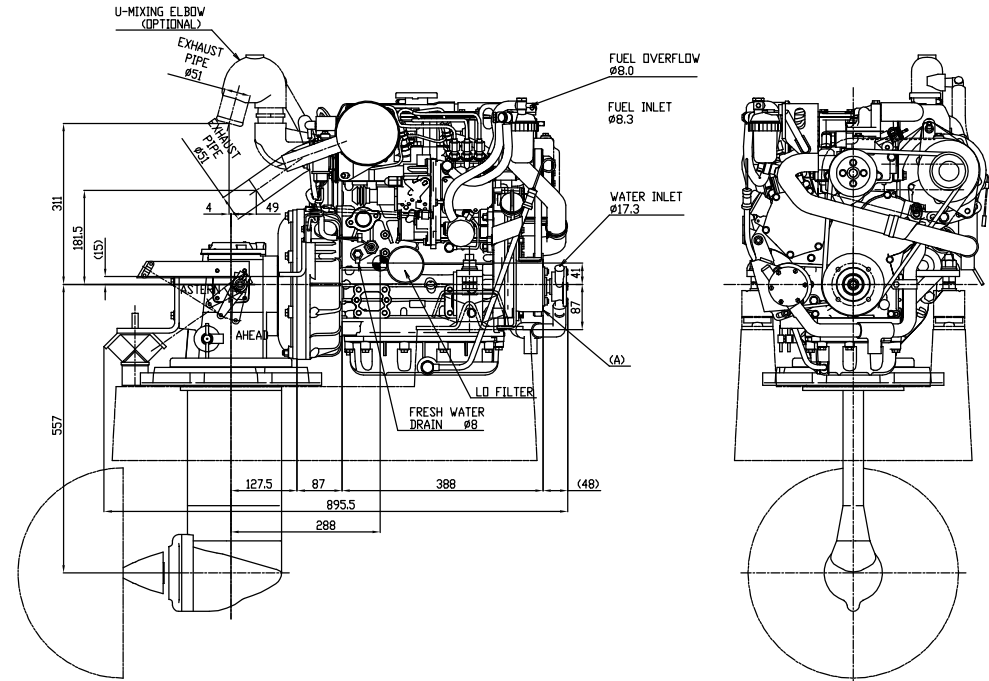
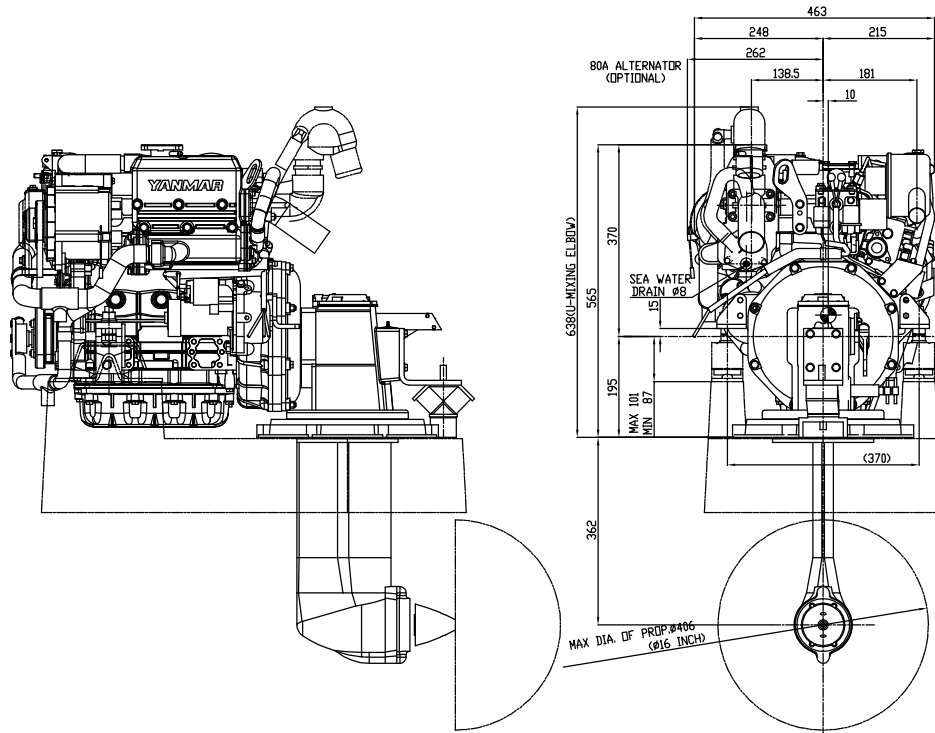


DETAIL OF PULLEY(A)  
(SCALE 1:3)



NOTE  
 1. DIM. SHOWS MOUNTING BLOCKS AT ORIGINAL HEIGHT.  
 2. ENGINE WEIGHT WILL COMPRESS BLOCKS BY 4.5mm (APPROX.).  
 3. MOUNTING BLOCKS ARE EQUIPPED FOR STANDARD ACCESSORY.  
 4. ⊕ SHOWS CENTER OF GRAVITY.  
 5. ALL DIMENSIONS ARE IN MILLIMETERS.

Scale 1/5 (1/3)	YANMAR MARINE INTERNATIONAL 24 April 2005	YM-3YM30 WITH SD20
-----------------------	--	-----------------------

GROUP, USER=EM2, MT01