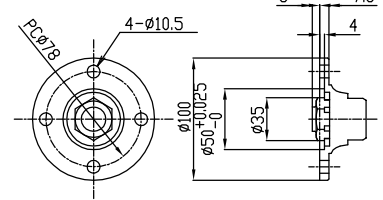
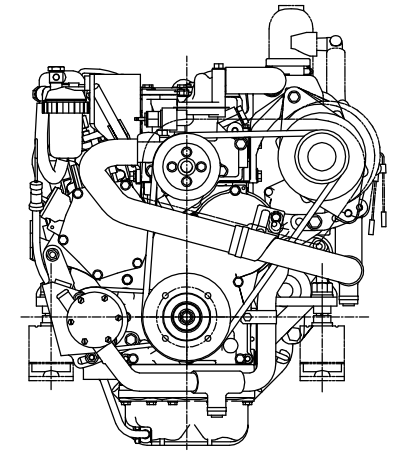
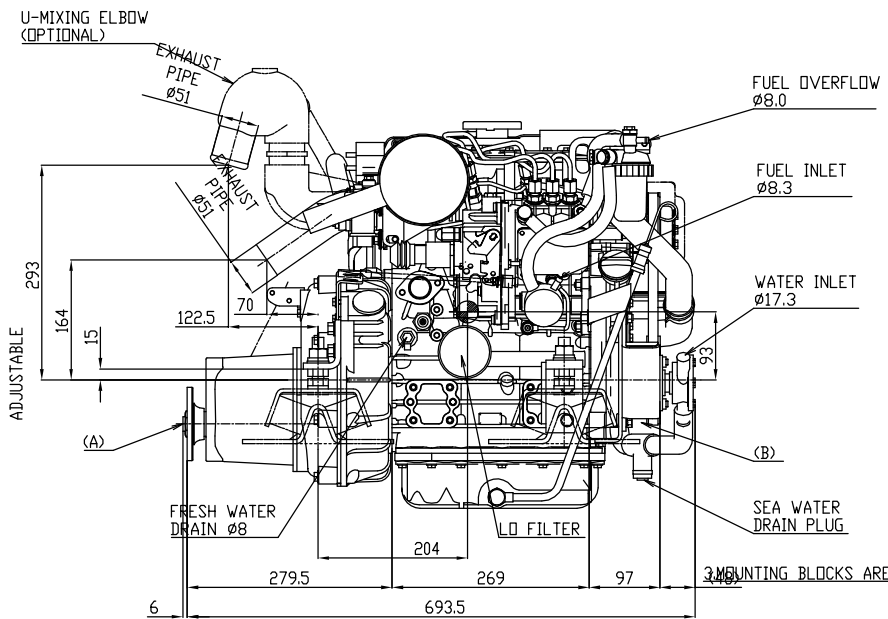
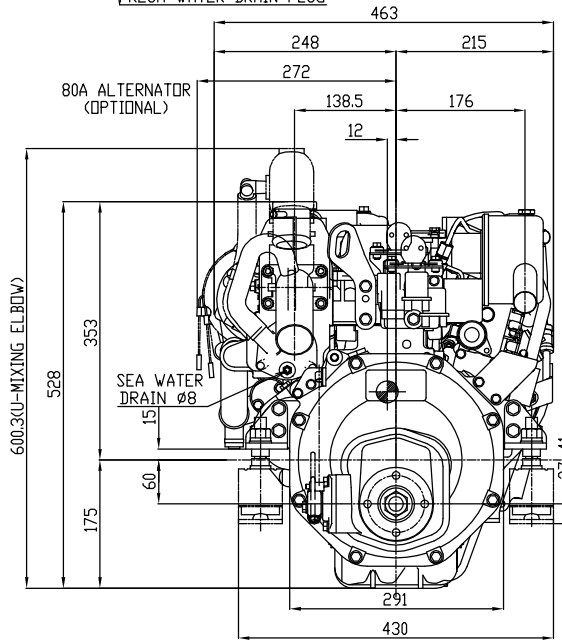


DETAIL OF PULLEY(B)  
(SCALE 1:3)



DETAIL OF COUPLING(A)  
(SCALE 1:3)

NOTE  
 1. DWG. SHOWS MOUNTING BLOCKS AT ORIGINAL HEIGHT.  
 2. ENGINE WEIGHT WILL COMPRESS BLOCKS BY 4.5mm (APPROX.).  
 3. MOUNTING BLOCKS ARE EQUIPPED FOR STANDARD ACCESSORY.  
 4. Ø SHOWS CENTER OF GRAVITY.  
 5. ALL DIMENSIONS ARE IN MILLIMETERS.

Scale 1/5 (1/3)	YANMAR MARINE INTERNATIONAL 24 April 2005	YM-3YM20 WITH KM2P-1
GROUP, USER=EM2, MT01		