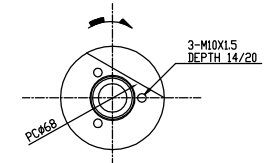
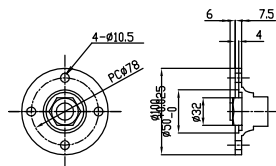
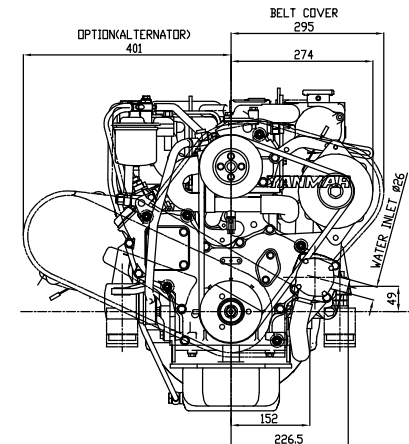
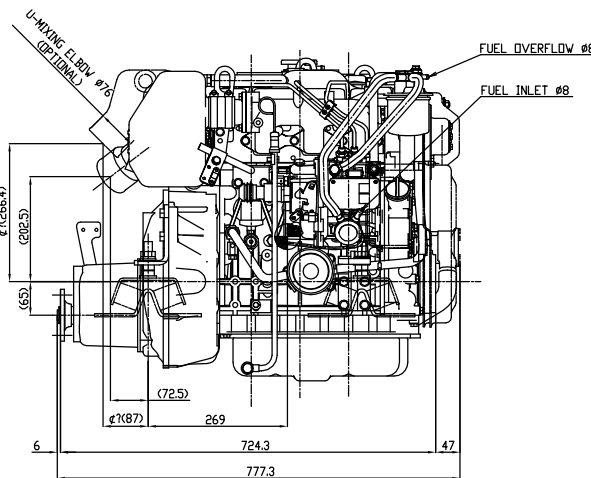
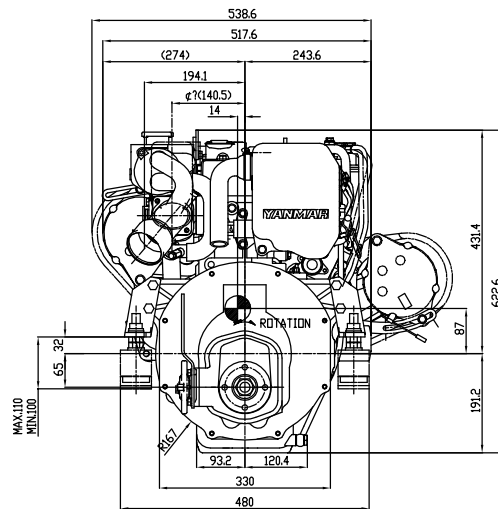


DIRECTION OF ROTATION



DETAIL OF PULLEY
SCALE 1:3
VIEW IN DIRECTION OF ARROW A



DETAIL OF COUPLING
SCALE 1:3

NOTE
1.DWG SHOWS MOUNTING BLOCKS AT ORIGINAL HEIGHT.
ENGINE WEIGHT WILL COMPRESS BLOCKS BY 4MM (APPROX).
2.MOUNTING BLOCKS ARE EQUIPPED FOR STANDARD ACCESSORY.
3.THE FIGURES MARKED WITH #1 SHOW THE DIMENSIONS WITH
U-MIXING ELBOW OR OPTIONAL COUPLING.
4.ALL DIMENSIONS ARE IN MILLIMETERS

Scale	YANMAR MARINE INTERNATIONAL	JH4-3JH4E WITH
1/5	24 April 2005	KM35P
GROUP, USER=EM2, MT01		