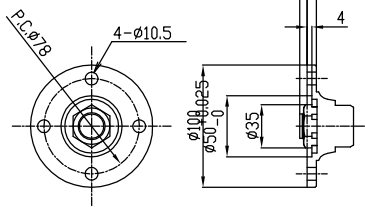
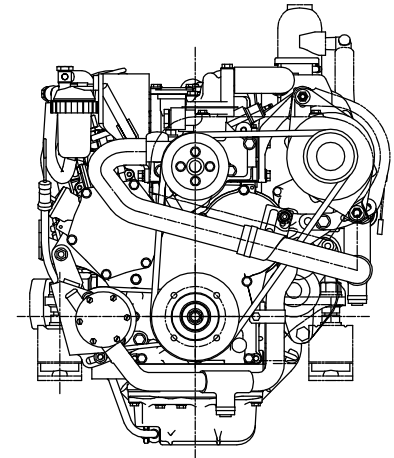
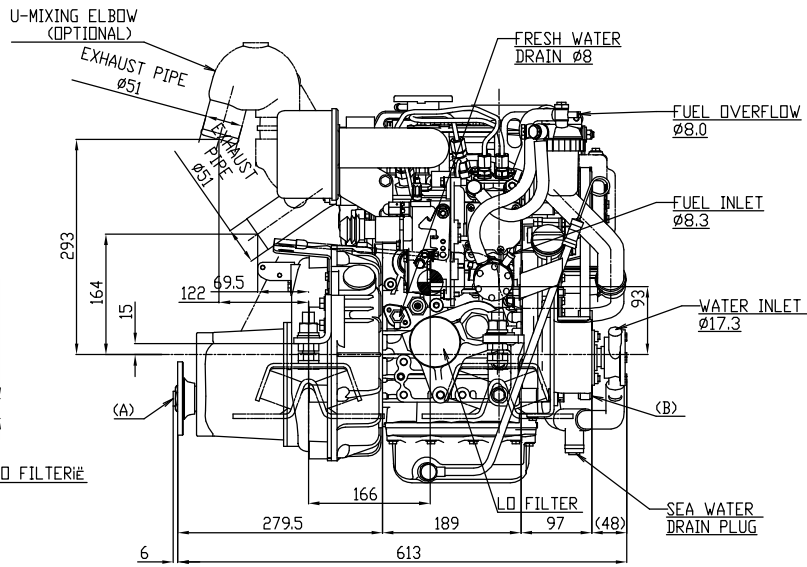
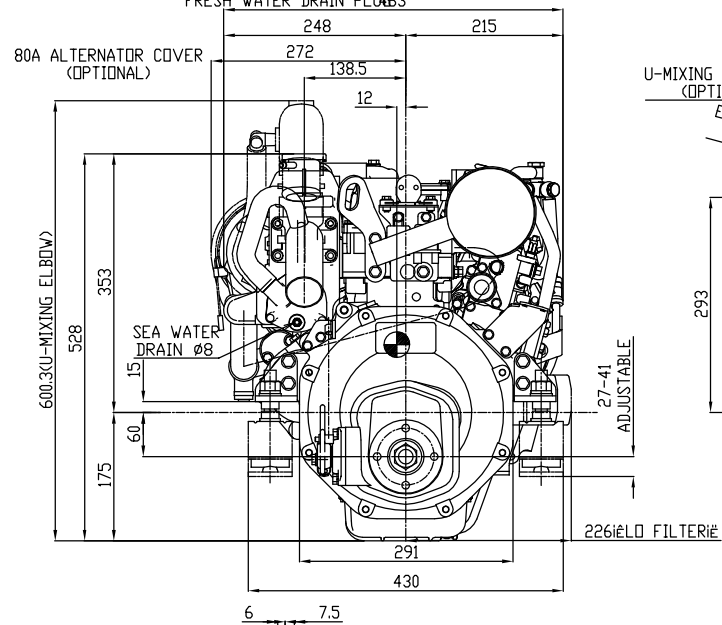


DETAIL OF PULLEY(B)
(SCALE 1:3)



DETAIL OF COUPLING(A)
(SCALE 1:3)

NOTE
 1. DWG. SHOWS MOUNTING BLOCKS AT ORIGINAL HEIGHT.
 2. ENGINE WEIGHT WILL COMPRESS BLOCKS BY 4.5mm (APPROX.).
 3. MOUNTING BLOCKS ARE EQUIPPED FOR STANDARD ACCESSORY.
 4. ● SHOWS CENTER OF GRAVITY
 5. ALL DIMENSIONS ARE IN MILLIMETERS

Scale 1/5 (1/3)	YANMAR MARINE INTERNATIONAL 24 April 2005	YM-2YM15 WITH KM2P-1
GROUP, USER=EM2, MT01		